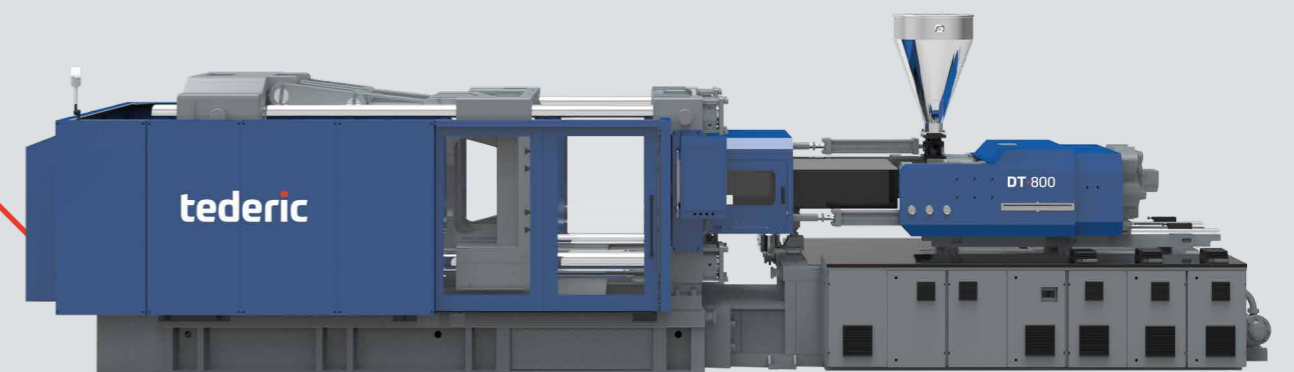


discover DT.

Toggle Clamp
Injection Molding
Machine



Tederic Machinery Co., Ltd.
No.245 Wenze North Road,
Hangzhou City, Zhejiang Province, 310018, China
T. +86-571-86733387
www.tedericglobal.com

t.DT.202009.01

tederic
SMART INJECTION

DT.

Toggle Clamp IMM

Through accumulated technical know-how and continuous yearly innovation, Tederic's DT series servo-toggle machines feature more than 10 patented features and other intellectual property. Tederic machines are well known for performance, quality and value, offering competitive injection molding solutions to more than 130 countries and regions around the world.

Adhering to the core values of flexibility and innovation, Tederic's DT series machines have been developed to service various specialized needs for specific industries. These specialized machines are used extensively in the custom/trade molding, home appliance, logistics, and construction industries, etc.

Clamping force: 100t – 4000t

Stable, Precise, Energy-saving, Flexible

Main application sectors



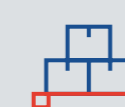
Packaging



Construction



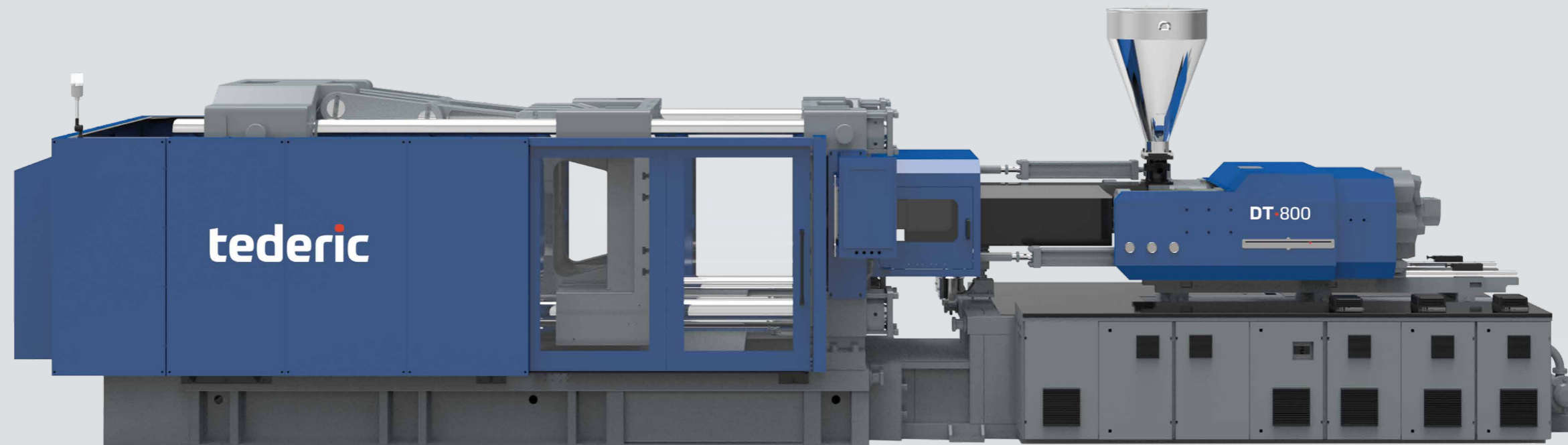
Home Appliances



Logistics



Environmental Protection



DT.

Clamping Unit

Technology Advantages

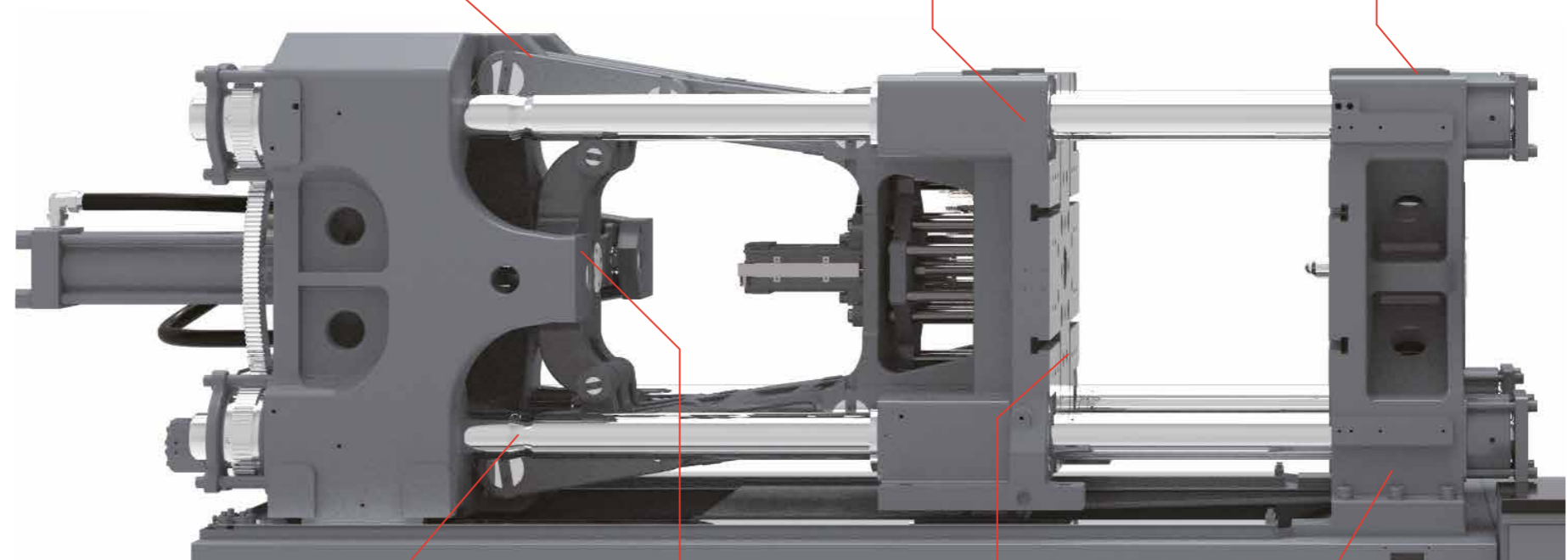
- Acting with optimized high rigidity platen action curve design, mold opening and clamping becomes more steady and efficient.
- Max. mould o/c speed 700mm/s, tie-bar load eccentric $\leq 4\%$.
- Self supplying chain ensures high accuracy of significant and key components as well as short leading time.

Reinforced toggle design:
High-rigidity, heavy castings minimize deflection, reduce point loads, improve platen parallelism.



Enlarged platen support shoes:
Resist platen tilt and enhance platen stability during highly dynamic movements.

Standardized robot mounting:
Euromap standard robot mounting hole pattern.



Lengthened stress groove:
The lengthened stress groove effectively eliminates the stress concentration and prolongs service life of tie bar.



V-shaped five-point toggle:
Toggle design features heavy-duty toggle links and pins for longer life and superior performance.

High rigidity platens:
T-slot platen design offers excellent strength and rigidity with the convenience of simplified mold mounting.



Box-type fixed platen:
Carefully positioned strengthening ribs guarantee minimum platen deflection and even stress distribution.

DT. Injection Unit

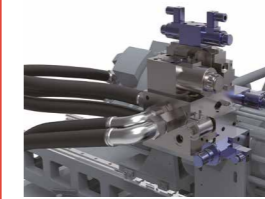
Technology Advantages

- Modular design offers customer a wider range of choices.
- Injection unit stability enhances the repeatability and accuracy of the process.
- Hopper/throat temperature control tolerance $\leq \pm 0.5^{\circ}\text{C}$.

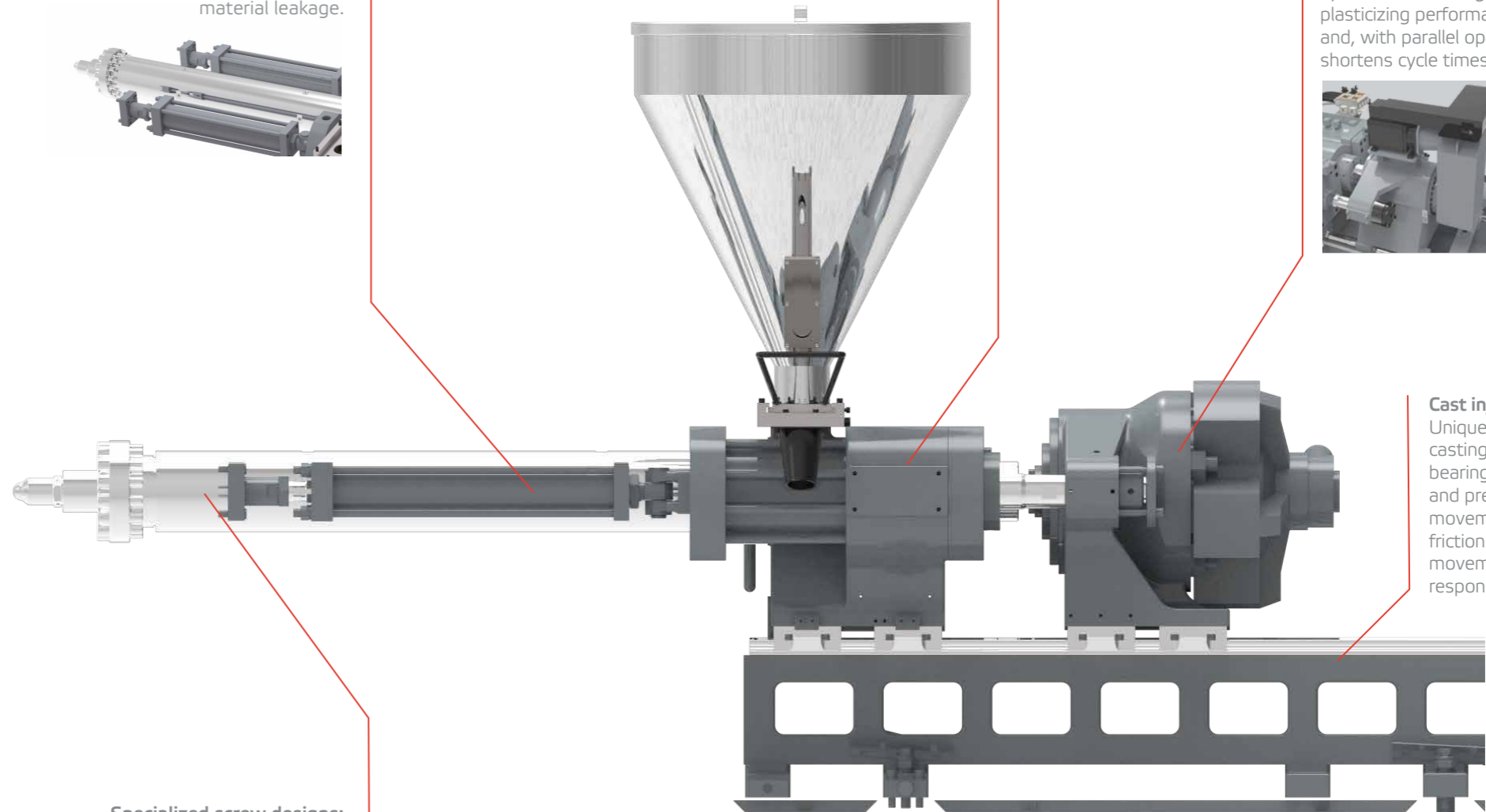
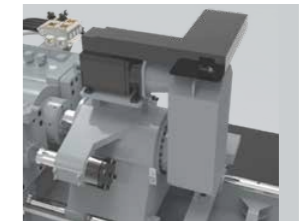
Twin carriage cylinders:
Balanced carriage nozzle contact force ensures precise nozzle alignment and helps to avoid material leakage.



Proportional back pressure control:
More consistent plasticizing and melt homogeneity.



Electric screw drive (optional):
Available electric screw drive system saves energy, increases plasticizing performance and, with parallel operation, shortens cycle times.



Cast injection unit base:
Unique, injection unit base casting, fitted with linear bearings, ensures smooth and precise injection unit movements. Reduced friction allows for faster movements and superior response times.

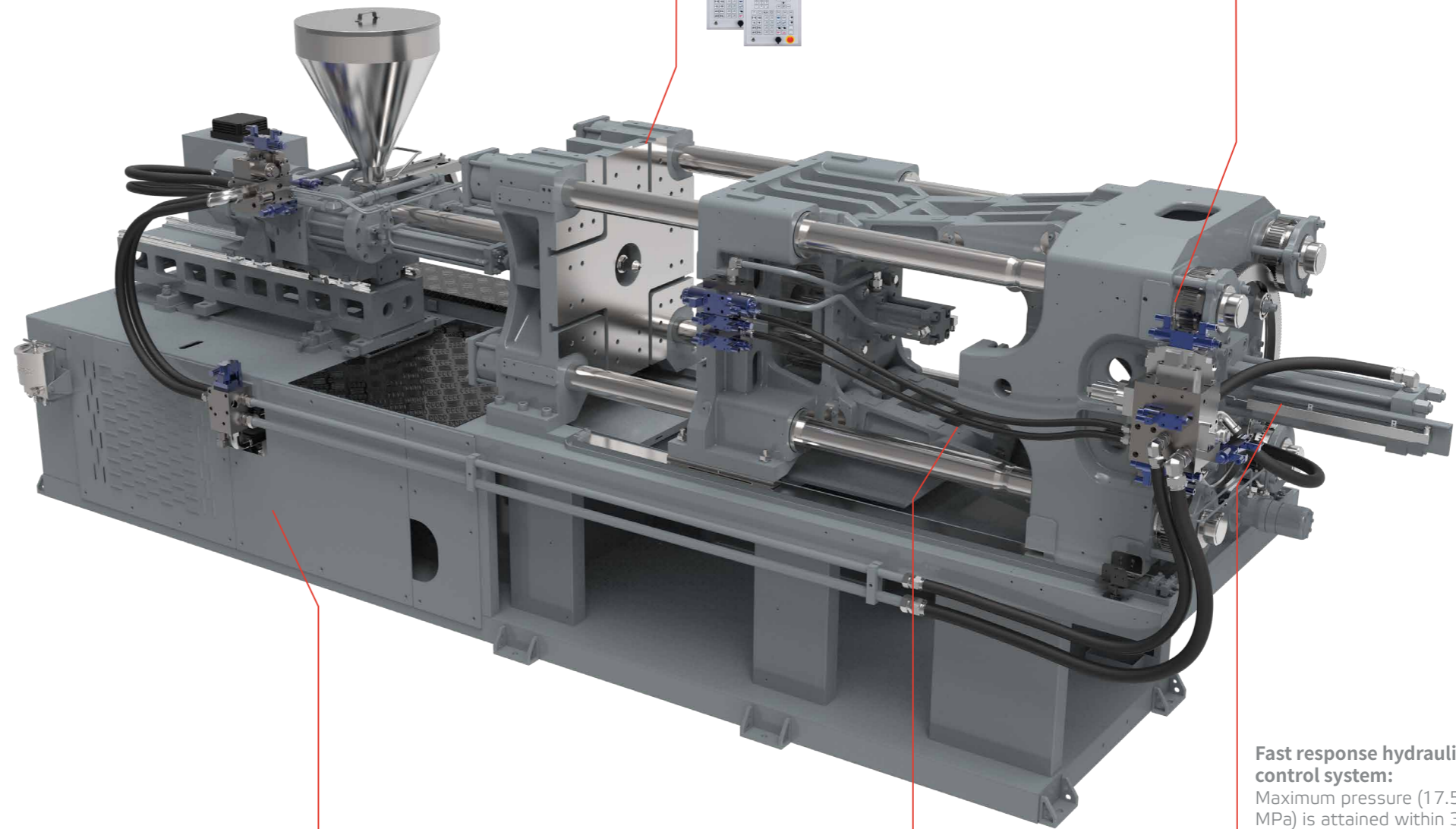
Specialized screw designs:
To enhance part quality and production output, screw designs optimized for various materials are available: mixing, barrier, low compression, PVC, thermoset, etc.

DT.

Electrical & Hydraulic

Technology Advantages

- Superior servo system design offers 30% to 80% energy saving when compared to traditional hydraulic systems.
- Improved hydraulic system layout features fewer bends and shorter pipe lengths for reduced losses and superior system response.
- Precise and user friendly controller, with well-developed program and patented intellectual property.
- Available customized configurations allow for tailored manufacturing solutions: increased pump power, accumulators, electric screw drive, etc.



Advanced controller:
High performance, user friendly control system;
Precise machine management with high-speed data transmission and response.



Customizable functions:
Electric screw drive, integrated hot runner, clamp force monitoring, ejector back signal, accumulator injection, increased motor-pump power, multiple core pull circuits, valve gate control.

Optimized electrical layout:
Easily accessible, waterproof, dust-resistant electrical cabinets, with separated high and low voltage compartments, contain world renowned electrical components, with numbered wire terminations. Recognized safety standards are accommodated.

Hydraulic safety:
All DT series machines conform to GB22530, EN201 and SPI hydraulic safety standards.

Fast response hydraulic control system:
Maximum pressure (17.5 MPa) is attained within 30 ms providing enhanced consistency, shortened cycle times and improved quality.

